

UNIT SIZES	OUTLET DUCT SIZE B X C	D	F	K
10	12x10 (305x254)	14 5/8 (371)	4 (102)	18 3/8 (467)
20	16x15 (406x381)	18 (457)	5 (127)	16 1/4 (413)
30	16x15 (406x381)	18 (457)	5 (127)	16 1/4 (413)
40	16x15 (406x381)	18 (457)	5 (127)	16 1/4 (413)
50	20x17 1/2 (508x445)	18 (457)	3 (76)	16 1/4 (413)

STANDARD FEATURES

- INTEGRATED RIVET HINGED ACCESS DOOR
 - AUTOMATIC RESET THERMAL CUTOUT
 - MANUAL RESET THERMAL CUTOUT
 - FAN INTERLOCKED WITH HEATING ELEMENTS
 - MAGNETIC CONTACTORS
 - 20 GA. GALVANIZED STEEL CONTRUCTION
 - HIGH GRADE NICKEL CHROME HEATING ELEMENTS
 - SINGLE POINT ELECTRICAL CONNECTION, EXCEPT SEPARATE POWER SUPPLY FOR 600/3φ/3 WIRE
- SUPPLY VOLTAGE:
- 115/1φ
 - 208/1φ (3 WIRE)
 - 240/1φ
 - 277/1φ
 - 480/1φ (3 WIRE)
 - 208/3φ (4 WIRE)
 - 480/3φ (4 WIRE)
 - 600/3φ (3 OR 4 WIRE)

OPTIONAL FEATURES

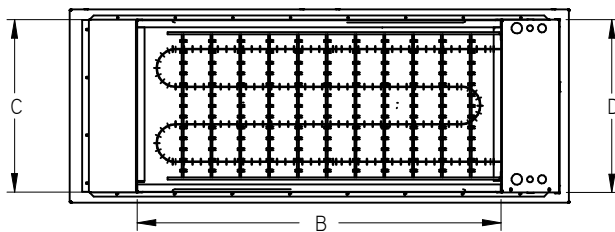
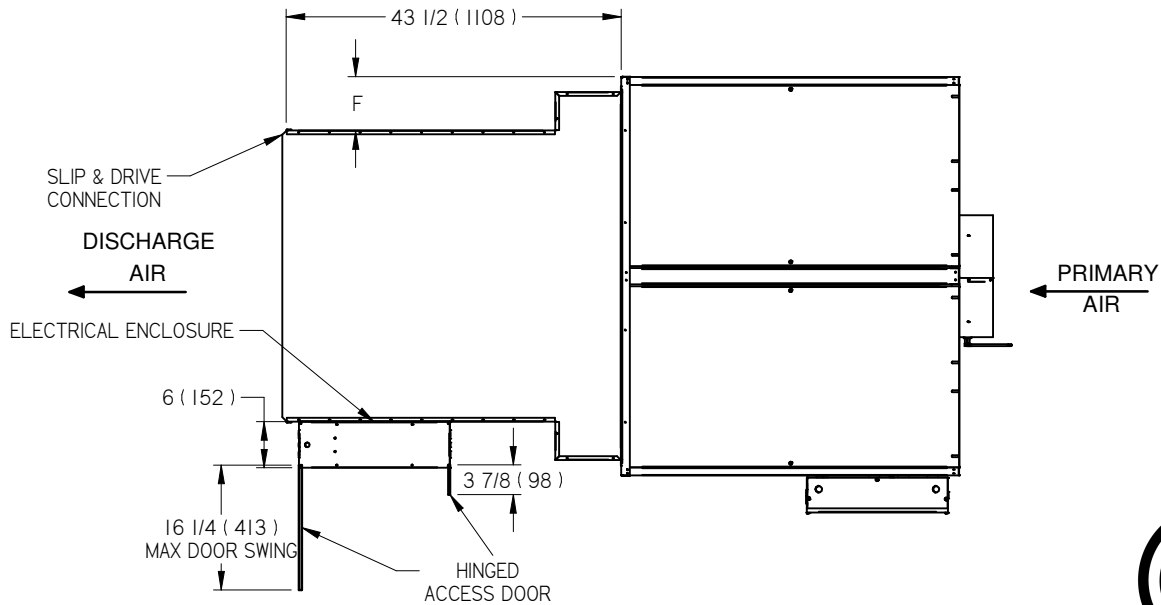
- AIR FLOW SWITCH
- CONTROL CIRCUIT FUSE
- DOOR INTERLOCK DISCONNECT SWITCH
- MAIN SUPPLY FUSE
- MOTOR FUSE
- SCR CONTROLS
- SCR-DAT CONTROLS
 - 0 to 10 Vdc CONTROL SIGNAL
 - 4 to 20 mA CONTROL SIGNAL
 - 24 VAC PULSE CONTROL
- DP - DUAL POINT POWER CONNECTION
- INSULATED EC SECTION

NOTES

- 70 CFM PER KW MINIMUM AIR FLOW ACROSS HEATER COILS.
- MINIMUM 0.2" w.g.(50 Pa) EXTERNAL STATIC PRESSURE TO OPERATE.
- ASSEMBLY ETL CERTIFIED TO UL1995 & CSA236.

ALL METRIC DIMENSIONS () ARE SOFT CONVERTED. IMPERIAL DIMENSIONS ARE CONVERTED TO METRIC AND ROUNDED TO THE NEAREST MILLIMETER.

PROJECT:		
ENGINEER:		
CUSTOMER:		G
SUBMITTAL DATE:		267932
SPEC. SYMBOL:		02/21/2017
ELECTRIC COILS CONSTANT VOLUME FDC SIZES 10-50		



UNIT SIZES	OUTLET DUCT SIZE B X C	D	F
60	38x18 (965x457)	18 (457)	7 (178)

STANDARD FEATURES

- INTEGRATED RIVET HINGED ACCESS DOOR
 - AUTOMATIC RESET THERMAL CUTOUT
 - MANUAL RESET THERMAL CUTOUT
 - FAN INTERLOCKED WITH HEATING ELEMENTS
 - MAGNETIC CONTACTORS
 - 20 GA. GALVANIZED STEEL CONTRUCTION
 - HIGH GRADE NICKEL CHROME HEATING ELEMENTS
 - SINGLE POINT ELECTRICAL CONNECTION, EXCEPT SEPARATE POWER SUPPLY FOR 600/3Φ/3 WIRE
- SUPPLY VOLTAGE:
- 115/1Φ
 - 208/1Φ (3 WIRE)
 - 240/1Φ
 - 277/1Φ
 - 480/1Φ (3 WIRE)
 - 208/3Φ (4 WIRE)
 - 480/3Φ (4 WIRE)
 - 600/3Φ (3 OR 4 WIRE)

OPTIONAL FEATURES

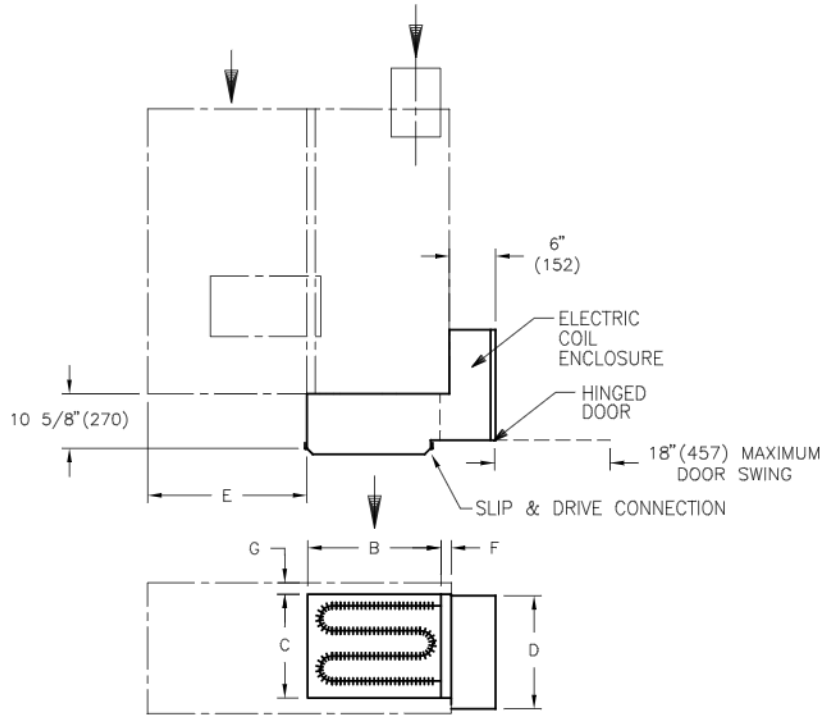
- AIR FLOW SWITCH
- CONTROL CIRCUIT FUSE
- DOOR INTERLOCK DISCONNECT SWITCH
- MAIN SUPPLY FUSE
- MOTOR FUSE
- SCR CONTROLS
- SCR-DAT CONTROLS
 - 0 to 10 Vdc CONTROL SIGNAL
 - 4 to 20 mA CONTROL SIGNAL
 - 24 VAC PULSE CONTROL
- DP - DUAL POINT POWER CONNECTION
- INSULATED EC SECTION

NOTES

- 70 CFM PER KW MINIMUM AIR FLOW ACROSS HEATER COILS.
- MINIMUM 0.2" w.g.(50 Pa) EXTERNAL STATIC PRESSURE TO OPERATE.
- ASSEMBLY ETL CERTIFIED TO UL1995 & CSA236.

ALL METRIC DIMENSIONS () ARE SOFT CONVERTED. IMPERIAL DIMENSIONS ARE CONVERTED TO METRIC AND ROUNDED TO THE NEAREST MILLIMETER.

PROJECT:		PRICE
ENGINEER:		
CUSTOMER:		G
SUBMITTAL DATE:		267932
SPEC. SYMBOL:		ELECTRIC COILS CONSTANT VOLUME FDC SIZE 60
		02/21/2017



UNIT SIZE	OUTLET DUCT SIZE B x C	D	E	F	G
20,30	14x12 1/2 (356x318)	15 (381)	16 1/4 (413)	3/4 (19)	7/8 (22)
40	16x15 (406x381)	15 (381)	18 1/4 (464)	3/4 (19)	7/8 (22)
50	20x17 1/2 (508x445)	17 (432)	21 1/2 (546)	3/4 (19)	7/8 (22)
60	24x18 (610x457)	17 (432)	17 1/2 (445)	3/4 (19)	7/8 (22)

SIZES 20-60

SEE CATALOGUE FOR DETAILED AIR FLOW RANGE AND CAPACITY.

STANDARD FEATURES

- HINGED ACCESS DOOR
- AUTOMATIC RESET THERMAL CUTOUT
- MANUAL RESET THERMAL CUTOUT
- FAN INTERLOCKED WITH HEATING ELEMENTS
- MAGNETIC CONTACTORS WHERE REQUIRED
- 20 GA. GALVANIZED STEEL CONSTRUCTION.
- HIGH GRADE NICKEL CHROME HEATING ELEMENTS
- REFER TO SUBMITTED CONTROL DIAGRAMS FOR STANDARD CONTROL COMPONENTS TO BE SUPPLIED
- SINGLE POINT ELECTRICAL CONNECTION, EXCEPT SEPARATE POWER SUPPLY FOR 600/3Ø/3 WIRE
- SUPPLY VOLTAGE:

- 115/1Ø
- 208/1Ø (3 WIRE)
- 240/1Ø
- 277/1Ø
- 208/3Ø (4 WIRE)
- 480/3Ø (4 WIRE)
- 600/3Ø (3 OR 4 WIRE)

OPTIONAL FEATURES

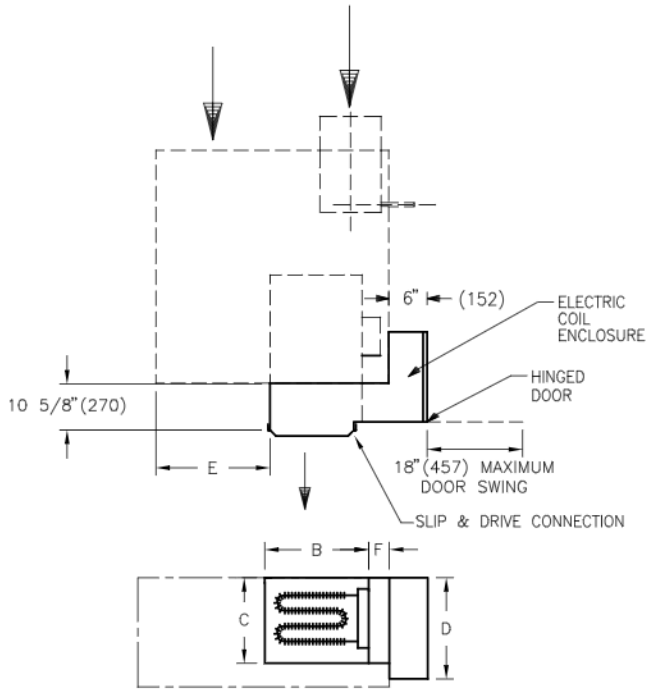
- AIR FLOW SWITCH
- CHICAGO CONSTRUCTION (CBC2000)
- CONTROL CIRCUIT FUSE
- DOOR INTERLOCK DISCONNECT SWITCH
- MAIN SUPPLY FUSES
- MOTOR FUSE
- MERCURY CONTACTORS
- SCR CONTROLS SCR-DAT CONTROLS™
- 0 to 10 Vdc CONTROL SIGNAL
- 4 to 20 mA CONTROL SIGNAL
- DP - DUAL POINT POWER CONNECTION

NOTES

- 70 CFM PER KW MINIMUM AIR FLOW ACROSS HEATER COILS.
- MINIMUM 0.2" w.g.(50 Pa) EXTERNAL STATIC PRESSURE TO OPERATE.
- ASSEMBLY ETL CERTIFIED TO UL1995 & CSA236.
- *FOR SCR OPTION WITH PNEUMATIC CONTROL SIGNAL CONTACT PRICE

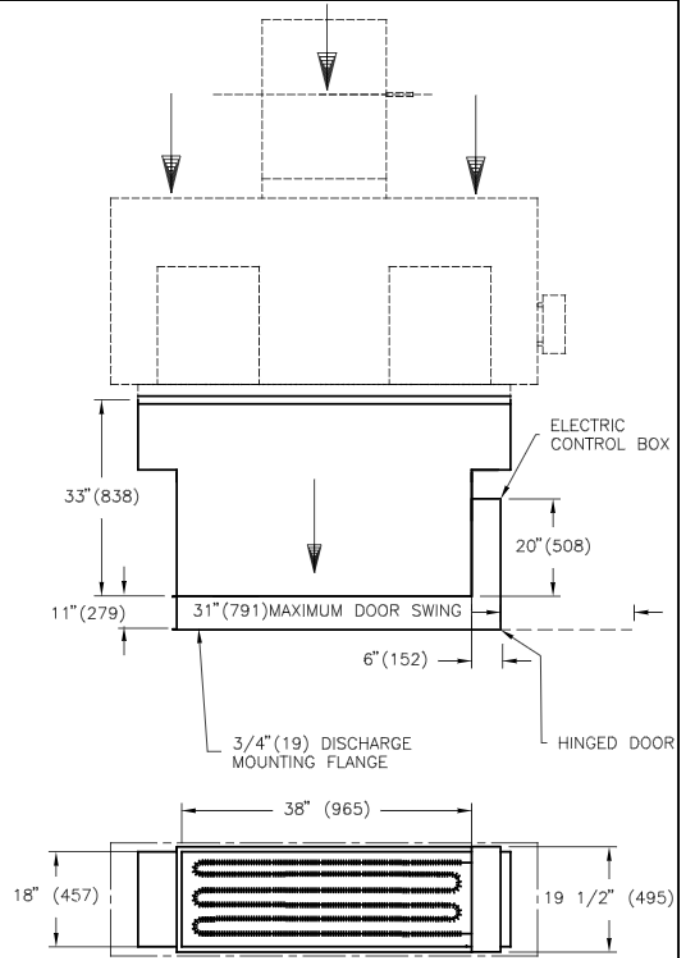
ALL METRIC DIMENSIONS () ARE SOFT CONVERTED. IMPERIAL DIMENSIONS ARE CONVERTED TO METRIC AND ROUNDED TO THE NEAREST MILLIMETER.

PROJECT:		PRICE®
ENGINEER:		
CUSTOMER:		GF
SUBMITTAL DATE:		231176
SPEC. SYMBOL:		2015/04/14
		ELECTRIC COILS VARIABLE VOLUME FAN POWERED TERMINALS SIZES 20 - 60



UNIT SIZE	OUTLET DUCT SIZE B x C	D	E	F
10	12x10 (305x254)	12 (305)	2 3/4 (70)	3 1/4 (83)
20,30	14x12 1/2 (356x318)	15 (381)	13 3/4 (349)	3 1/4 (83)
40	16x15 (406x381)	15 (381)	15 3/4 (400)	3 1/4 (83)
50	20x17 1/2 (508x445)	17 (432)	16 3/4 (424)	3 1/4 (83)
60	24x18 (610x457)	17 (432)	18 3/4 (476)	3 1/4 (83)

SIZES 10-60



SIZE 70

SEE CATALOGUE FOR DETAILED AIR FLOW RANGE AND CAPACITY.

STANDARD FEATURES

- HINGED ACCESS DOOR
- AUTOMATIC RESET THERMAL CUTOUT
- MANUAL RESET THERMAL CUTOUT
- FAN INTERLOCKED WITH HEATING ELEMENTS
- MAGNETIC CONTACTORS WHERE REQUIRED
- 20 GA. GALVANIZED STEEL CONSTRUCTION.
- HIGH GRADE NICKEL CHROME HEATING ELEMENTS
- REFER TO SUBMITTED CONTROL DIAGRAMS FOR STANDARD CONTROL COMPONENTS TO BE SUPPLIED
- SINGLE POINT ELECTRICAL CONNECTION, EXCEPT SEPARATE POWER SUPPLY FOR 600/3Ø/3 WIRE
- SUPPLY VOLTAGE:
 - 115/1Ø
 - 208/1Ø (3 WIRE)
 - 240/1Ø
 - 277/1Ø
 - 480/1Ø (3 WIRE)
 - 208/3Ø (4 WIRE)
 - 480/3Ø (4 WIRE)
 - 600/3Ø (3 OR 4 WIRE)

OPTIONAL FEATURES

- AIR FLOW SWITCH
- CHICAGO CONSTRUCTION (CBC2000)
- CONTROL CIRCUIT FUSE
- DOOR INTERLOCK DISCONNECT SWITCH
- MAIN SUPPLY FUSES
- MOTOR FUSE
- MERCURY CONTACTORS
- SCR CONTROLS SCR-DAT CONTROLS * SEE NOTE
 - 0 to 10 Vdc CONTROL SIGNAL
 - 4 to 20 mA CONTROL SIGNAL
 - 24 VAC PULSE CONTROL
- DP - DUAL POINT POWER CONNECTION

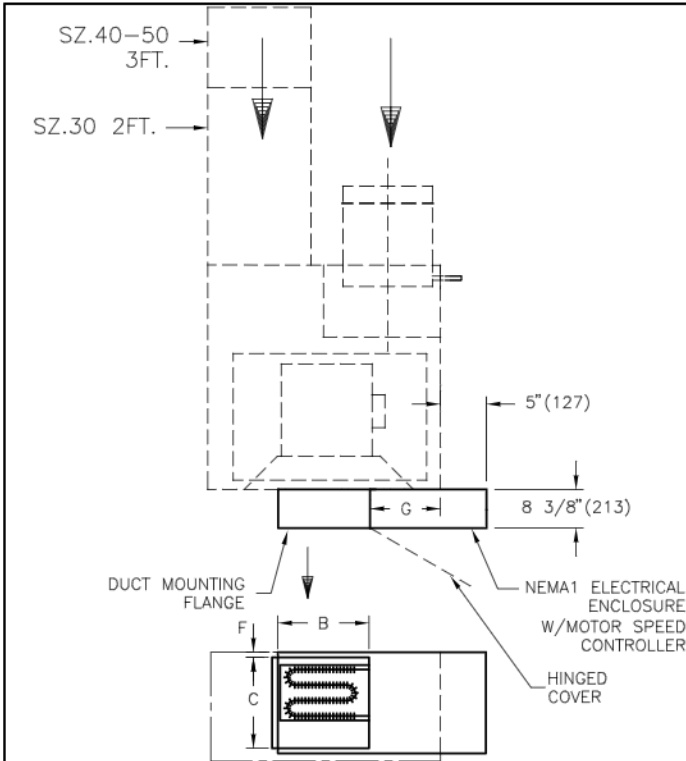
NOTES

- 70 CFM PER KW MINIMUM AIR FLOW ACROSS HEATER COILS.
- MINIMUM 0.2" w.g.(50 Pa) EXTERNAL STATIC PRESSURE TO OPERATE.
- ASSEMBLY ETL CERTIFIED TO UL1995 & CSA236.
- *FOR SCR OPTION WITH PNEUMATIC CONTROL SIGNAL CONTACT PRICE

ALL METRIC DIMENSIONS () ARE SOFT CONVERTED. IMPERIAL DIMENSIONS ARE CONVERTED TO METRIC AND ROUNDED TO THE NEAREST MILLIMETER.

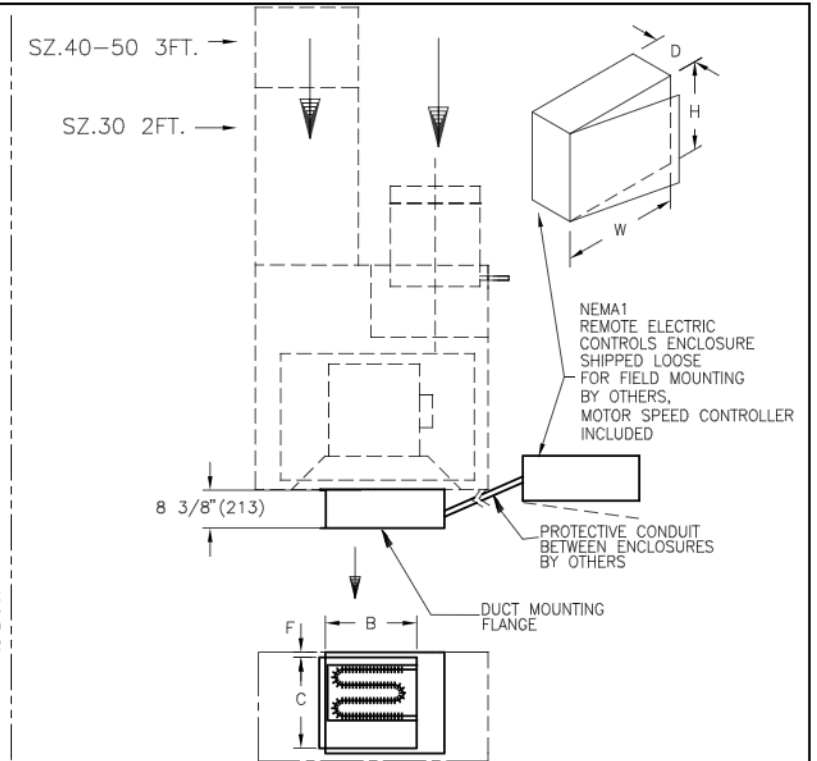


PROJECT:		PRICE®
ENGINEER:		
CUSTOMER:		GF
SUBMITTAL DATE:		229720
SPEC. SYMBOL:		2015/04/14
		ELECTRIC COILS CONSTANT VOLUME FAN POWERED TERMINALS SIZES 10 - 70



UNIT SIZE	OUTLET DUCT SIZE B x C	F	G
20	12x10 (305x254)	2 (51)	6 (152)
30	14x12½ (356x318)	2¾ (70)	7 (178)
40	16x15 (406x381)	1½ (38)	10 (254)
50	20x17½ (508x445)	1¼ (32)	10 (254)

**FACE MOUNT
SIZES 20-50**



UNIT SIZE	OUTLET DUCT SIZE B x C	W	H	D	F
20	12x10 (305x254)	15 (381)	18½ (460)	8¾ (213)	2 (51)
30	14x12½ (356x318)				2¾ (70)
40	16x15 (406x381)				1½ (38)
50	20x17½ (508x445)				1¼ (32)

**REMOTE MOUNT
SIZE 20-50**

SEE CATALOGUE FOR DETAILED AIR FLOW RANGE AND CAPACITY.

STANDARD FEATURES

- HINGED ACCESS DOOR
- AUTOMATIC RESET THERMAL CUTOUT
- MANUAL RESET THERMAL CUTOUT
- FAN INTERLOCKED WITH HEATING ELEMENTS
- MAGNETIC CONTACTORS WHERE REQUIRED
- 20 GA. GALVANIZED STEEL CONSTRUCTION
- HIGH GRADE NICKEL CHROME HEATING ELEMENTS
- SINGLE POINT ELECTRICAL CONNECTION, EXCEPT SEPARATE POWER SUPPLY FOR 600/3Ø/3 WIRE
- LEFT HAND COIL SHOWN ABOVE
- SUPPLY VOLTAGE:

- 115/1Ø
- 208/1Ø (3 WIRE)
- 240/1Ø
- 277/1Ø
- 208/3Ø (4 WIRE)
- 480/1Ø (3 WIRE)
- 480/3Ø (4 WIRE)
- 600/3Ø (3 OR 4 WIRE)

OPTIONAL FEATURES

- AIR FLOW SWITCH
- CHICAGO CONSTRUCTION (CBC2000)
- CONTROL CIRCUIT FUSE
- DOOR INTERLOCK DISCONNECT SWITCH
- MAIN SUPPLY FUSES
- MOTOR FUSE
- SCR CONTROLS
- SCR-DAT CONTROLS
 - 0 to 10 Vdc CONTROL SIGNAL
 - 4 to 20 mA CONTROL SIGNAL
- DP - DUAL POINT POWER CONNECTION

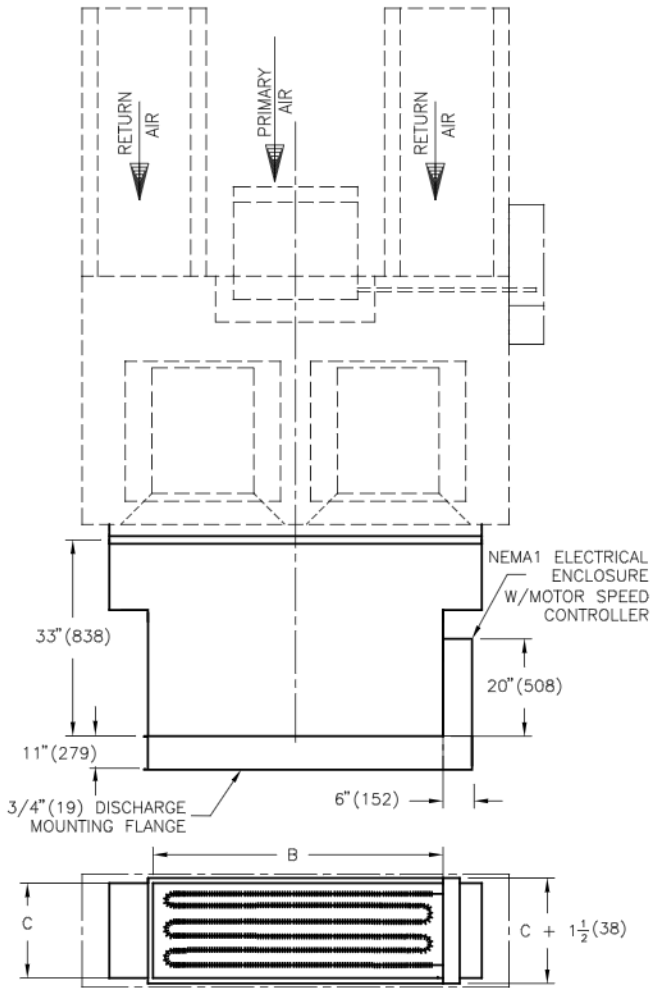
NOTES

- 70 CFM PER KW MINIMUM AIR FLOW ACROSS HEATER COILS.
- LISTED UL1995 & CSA236 COILS



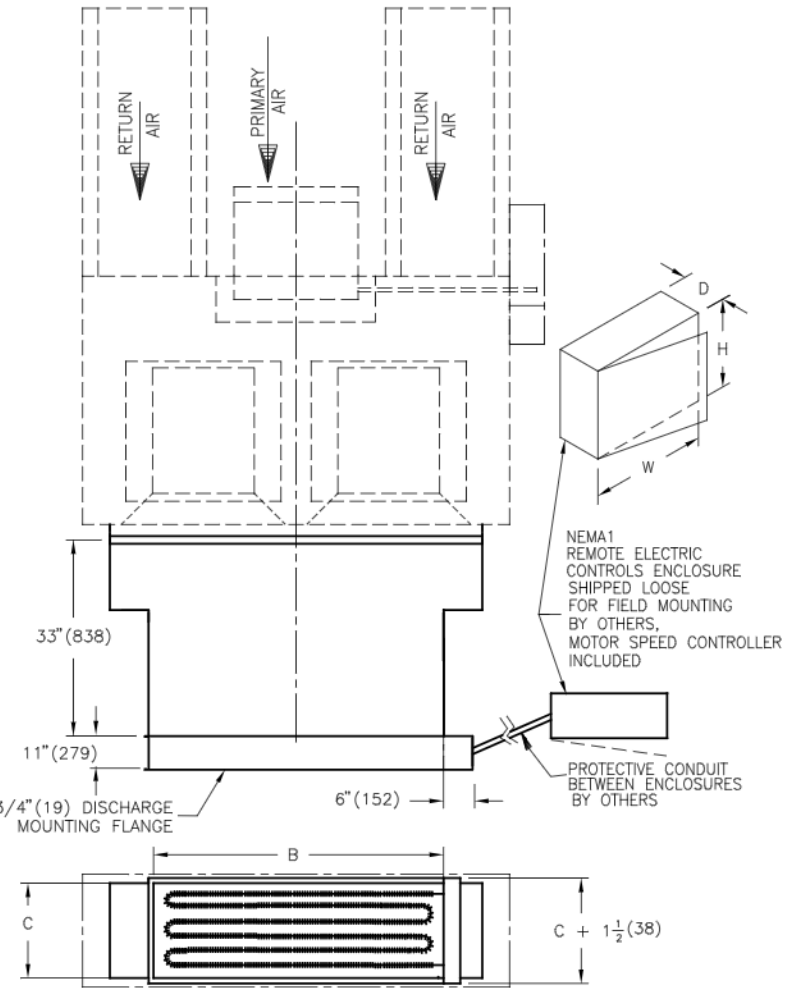
ALL METRIC DIMENSIONS () ARE SOFT CONVERTED. IMPERIAL DIMENSIONS ARE CONVERTED TO METRIC AND ROUNDED TO THE NEAREST MILLIMETER.

PROJECT:		PRICE®	
ENGINEER:		GF	ELECTRIC COILS CONSTANT VOLUME FDCA2 SIZES 20 - 50, LH
CUSTOMER:		265195	
SUBMITTAL DATE:	SPEC. SYMBOL:	2014/10/02	



UNIT SIZE	OUTLET DUCT SIZE B x C
60	38x18 (965x457)
70	38x18 (965x457)

FACE MOUNT SIZES 60-70



UNIT SIZE	OUTLET DUCT SIZE B x C	W	H	D
60	38x18 (965x457)			
70	38x18 (965x457)	15 (381)	18 1/8 (460)	8 3/8 (213)

REMOTE MOUNT SIZES 60-70

SEE CATALOGUE FOR DETAILED AIR FLOW RANGE AND CAPACITY.

STANDARD FEATURES

- HINGED ACCESS DOOR
- AUTOMATIC RESET THERMAL CUTOUT
- MANUAL RESET THERMAL CUTOUT
- FAN INTERLOCKED WITH HEATING ELEMENTS
- MAGNETIC CONTACTORS WHERE REQUIRED
- 20 GA. GALVANIZED STEEL CONSTRUCTION
- HIGH GRADE NICKEL CHROME HEATING ELEMENTS
- SINGLE POINT ELECTRICAL CONNECTION, EXCEPT SEPARATE POWER SUPPLY FOR 600/3 ϕ /3 WIRE
- LEFT HAND COIL SHOWN ABOVE
- SUPPLY VOLTAGE:
 - 115/1 ϕ
 - 208/1 ϕ (3 WIRE)
 - 240/1 ϕ
 - 277/1 ϕ
 - 480/1 ϕ (3 WIRE)
 - 208/3 ϕ (4 WIRE)
 - 480/3 ϕ (4 WIRE)
 - 600/3 ϕ (3 OR 4 WIRE)

OPTIONAL FEATURES

- AIR FLOW SWITCH
- CHICAGO CONSTRUCTION (CBC2000)
- CONTROL CIRCUIT FUSE
- DOOR INTERLOCK DISCONNECT SWITCH
- MAIN SUPPLY FUSES
- MOTOR FUSE
- SCR CONTROLS
 - 0 to 10 Vdc CONTROL SIGNAL
 - 4 to 20 mA CONTROL SIGNAL
- DP - DUAL POINT POWER CONNECTION

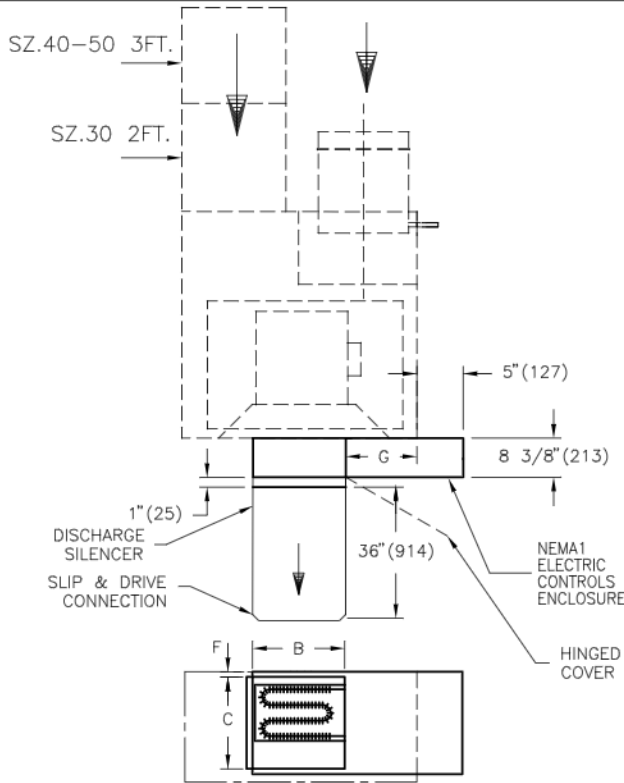
NOTES

- 70 CFM PER KW MINIMUM AIR FLOW ACROSS HEATER COILS.
- LISTED UL1995 & CSA236 COILS



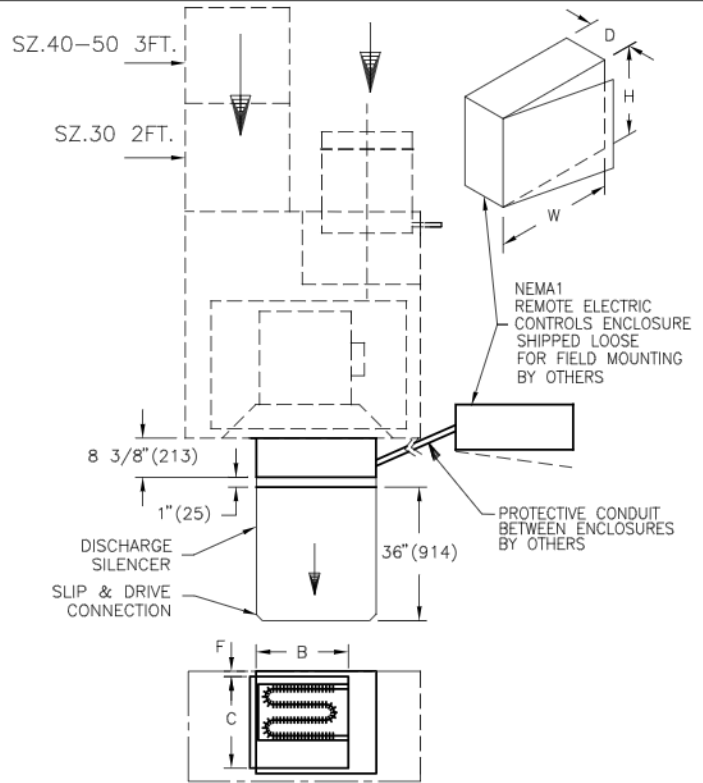
ALL METRIC DIMENSIONS () ARE SOFT CONVERTED. IMPERIAL DIMENSIONS ARE CONVERTED TO METRIC AND ROUNDED TO THE NEAREST MILLIMETER.

PROJECT:		PRICE [®]	ELECTRIC COILS
ENGINEER:			
CUSTOMER:		265195	SIZES 60 - 70, LH
SUBMITTAL DATE:	SPEC. SYMBOL:	2014/10/02	



**□ FACE MOUNT
SIZES 20-50**

UNIT SIZE	OUTLET DUCT SIZE B x C	F	G
20	12x10 (305x254)	2 (51)	6 (152)
30	14x12½ (356x318)	2¾ (70)	7 (178)
40	16x15 (406x381)	1½ (38)	10 (254)
50	20x17½ (508x445)	1¼ (32)	10 (254)



**□ REMOTE MOUNT
SIZE 20-50**

UNIT SIZE	OUTLET DUCT SIZE B x C	W	H	D	F
20	12x10 (305x254)	15 (381)	18 (457)	8¾ (213)	2 (51)
30	14x12½ (356x318)				2¾ (70)
40	16x15 (406x381)				1½ (38)
50	20x17½ (508x445)				1¼ (32)

SEE CATALOGUE FOR DETAILED AIR FLOW RANGE AND CAPACITY.

STANDARD FEATURES

- HINGED ACCESS DOOR
- AUTOMATIC RESET THERMAL CUTOUT
- MANUAL RESET THERMAL CUTOUT
- FAN INTERLOCKED WITH HEATING ELEMENTS
- MAGNETIC CONTACTORS WHERE REQUIRED
- 20 GA. GALVANIZED STEEL CONSTRUCTION
- HIGH GRADE NICKEL CHROME HEATING ELEMENTS
- SINGLE POINT ELECTRICAL CONNECTION, EXCEPT SEPARATE POWER SUPPLY FOR 600/3Ø/3 WIRE
- LEFT HAND COIL SHOWN ABOVE
- SUPPLY VOLTAGE:
 - 115/1Ø
 - 208/3Ø (4 WIRE)
 - 208/1Ø (3 WIRE)
 - 480/3Ø (4 WIRE)
 - 240/1Ø
 - 480/3Ø (4 WIRE)
 - 277/1Ø
 - 600/3Ø (3 OR 4 WIRE)

OPTIONAL FEATURES

- AIR FLOW SWITCH
- CHICAGO CONSTRUCTION (CBC2000)
- CONTROL CIRCUIT FUSE
- DOOR INTERLOCK DISCONNECT SWITCH
- MAIN SUPPLY FUSES
- MOTOR FUSE
- SCR CONTROLS
 - 0 to 10 Vdc CONTROL SIGNAL
 - 4 to 20 mA CONTROL SIGNAL
 - 24 VAC PULSE CONTROL
- DP - DUAL POINT POWER CONNECTION

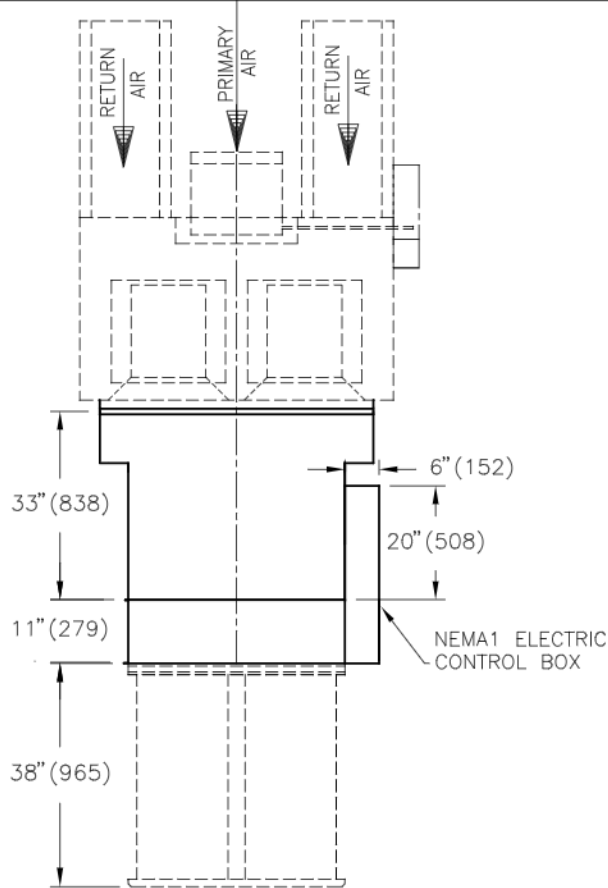
NOTES

- 70 CFM PER KW MINIMUM AIR FLOW ACROSS HEATER COILS.
- MINIMUM 0.2" w.g.(50 Pa) EXTERNAL STATIC PRESSURE TO OPERATE.
- LISTED UL1995 & CSA236 COILS



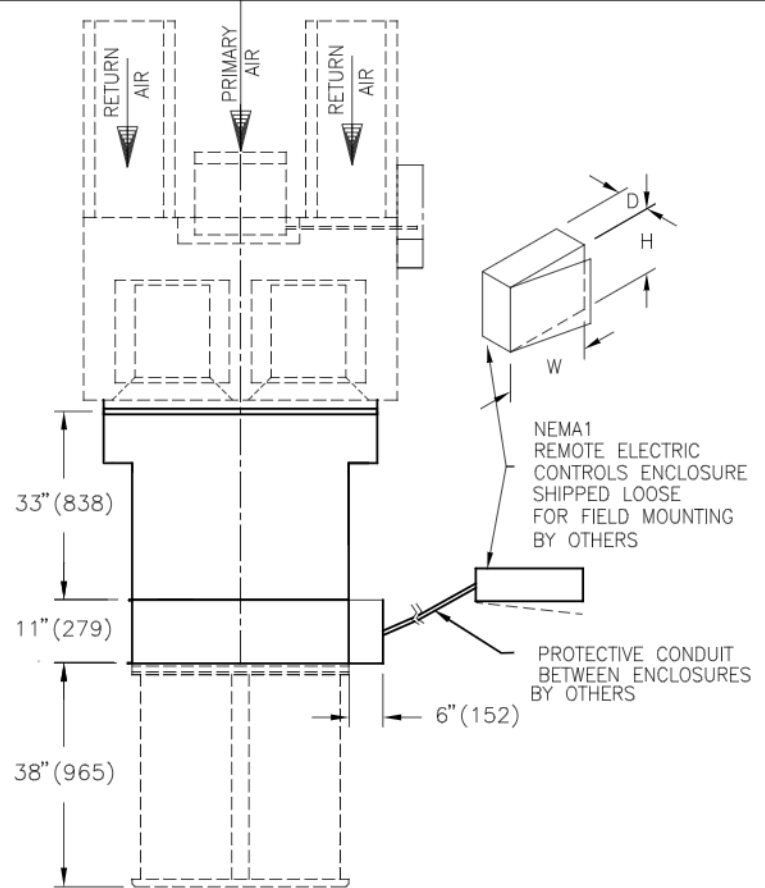
ALL METRIC DIMENSIONS () ARE SOFT CONVERTED. IMPERIAL DIMENSIONS ARE CONVERTED TO METRIC AND ROUNDED TO THE NEAREST MILLIMETER.

PROJECT:	PRICE®	
ENGINEER:	GF	ELECTRIC COILS CONSTANT VOLUME FDCA2 W/ SILENCER SIZES 20 - 50
CUSTOMER:	265196	
SUBMITTAL DATE:	SPEC. SYMBOL:	2014/10/02



UNIT SIZE	OUTLET DUCT SIZE B x C
60	38x18 (965x457)
70	38x18 (965x457)

□ FACE MOUNT SIZES 60-70



UNIT SIZE	OUTLET DUCT SIZE B x C	W	H	D
60	38x18 (965x457)	15 (381)	18 (457)	8 3/8 (213)
70	38x18 (965x457)			

□ REMOTE MOUNT SIZES 60-70

SEE CATALOGUE FOR DETAILED AIR FLOW RANGE AND CAPACITY.

STANDARD FEATURES

- HINGED ACCESS DOOR
- AUTOMATIC RESET THERMAL CUTOUT
- MANUAL RESET THERMAL CUTOUT
- FAN INTERLOCKED WITH HEATING ELEMENTS
- MAGNETIC CONTACTORS WHERE REQUIRED
- 20 GA. GALVANIZED STEEL CONSTRUCTION
- HIGH GRADE NICKEL CHROME HEATING ELEMENTS
- SINGLE POINT ELECTRICAL CONNECTION, EXCEPT SEPARATE POWER SUPPLY FOR 600/3Ø/3 WIRE
- LEFT HAND COIL SHOWN ABOVE
- SUPPLY VOLTAGE:
 - 115/1Ø
 - 208/1Ø (3 WIRE)
 - 240/1Ø
 - 277/1Ø
 - 480/1Ø (3 WIRE)
 - 208/3Ø (4 WIRE)
 - 480/3Ø (4 WIRE)
 - 600/3Ø (3 OR 4 WIRE)

OPTIONAL FEATURES

- AIR FLOW SWITCH
- CHICAGO CONSTRUCTION (CBC2000)
- CONTROL CIRCUIT FUSE
- DOOR INTERLOCK DISCONNECT SWITCH
- MAIN SUPPLY FUSES
- MOTOR FUSE
- SCR CONTROLS
 - 0 to 10 Vdc CONTROL SIGNAL
 - 4 to 20 mA CONTROL SIGNAL
- DP - DUAL POINT POWER CONNECTION
- 24 VAC PULSE CONTROL

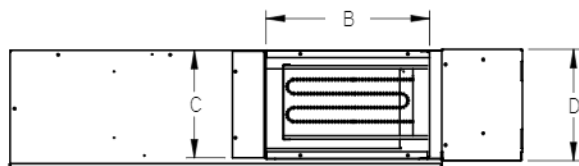
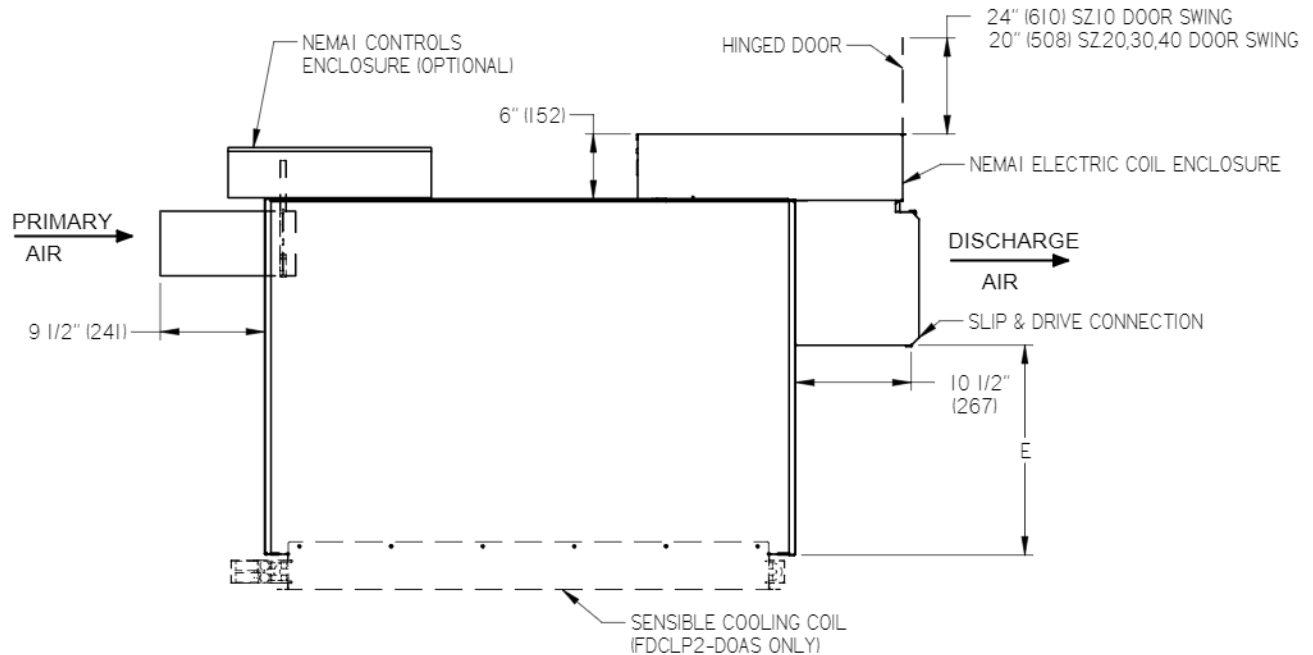
NOTES

- 70 CFM PER KW MINIMUM AIR FLOW ACROSS HEATER COILS.
- MINIMUM 0.2" w.g.(50 Pa) EXTERNAL STATIC PRESSURE TO OPERATE.
- LISTED UL1995 & CSA236 COILS

ALL METRIC DIMENSIONS () ARE SOFT CONVERTED. IMPERIAL DIMENSIONS ARE CONVERTED TO METRIC AND ROUNDED TO THE NEAREST MILLIMETER.



PROJECT:	PRICE®	
ENGINEER:	GF	ELECTRIC COILS CONSTANT VOLUME FDCA2 W/ SILENCER SIZES 60 - 70
CUSTOMER:	265196	
SUBMITTAL DATE:	2014/10/02	SPEC. SYMBOL:



UNIT SIZE	OUTLET DUCT SIZE B x C	D	E
10	12x8 (305x203)	8 1/2" (216)	19" (483)
20	12x10 (305x254)	10 1/2" (267)	11 7/8" (302)
30			
40	14x12 1/2 (356x318)	15" (381)	19 7/8" (505)

STANDARD FEATURES

- HINGED ACCESS DOOR
- AUTOMATIC RESET THERMAL CUTOUT
- MANUAL RESET THERMAL CUTOUT
- FAN INTERLOCKED WITH HEATING ELEMENTS
- MAGNETIC CONTACTORS
- 20 GA. GALVANIZED STEEL CONSTRUCTION
- HIGH GRADE NICKEL CHROME HEATING ELEMENTS
- REFER TO SUBMITTED CONTROL DIAGRAMS FOR STANDARD CONTROL COMPONENTS TO BE SUPPLIED
- SINGLE POINT ELECTRICAL CONNECTION, EXCEPT SEPARATE POWER SUPPLY FOR 600/3Φ/3 WIRE
- SUPPLY VOLTAGE:
 - 115/1Φ
 - 208/1Φ (3 WIRE)
 - 240/1Φ
 - 277/1Φ
 - 480/1Φ (3 WIRE)
 - 208/3Φ (4 WIRE)
 - 480/3Φ (4 WIRE)
 - 600/3Φ (3 OR 4 WIRE)

OPTIONAL FEATURES

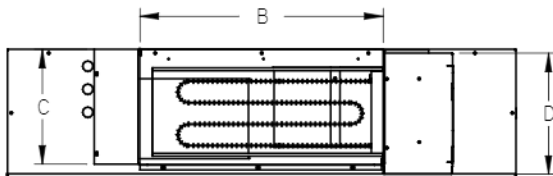
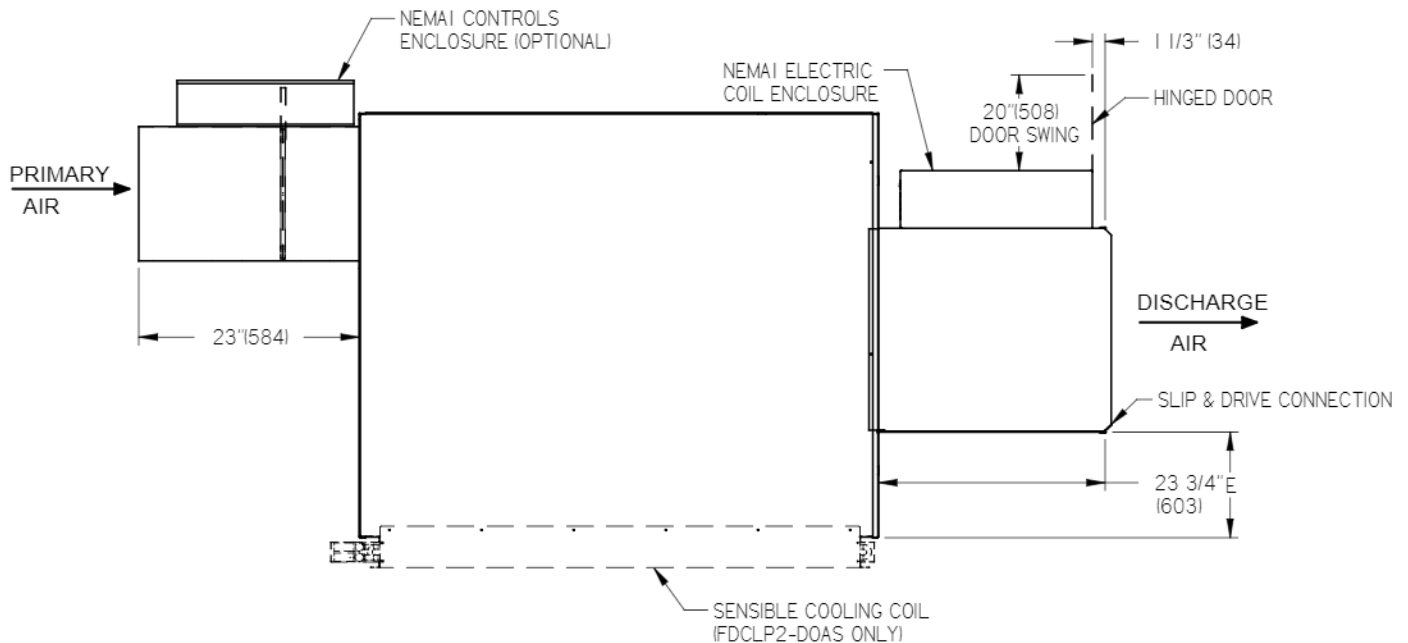
- AIR FLOW SWITCH
- CHICAGO CONSTRUCTION (CBC2000)
- CONTROL CIRCUIT FUSE
- DOOR INTERLOCK DISCONNECT SWITCH
- MAIN SUPPLY FUSE
- MOTOR FUSE
- MERCURY CONTACTORS
- SCR CONTROLS
- SCR-DAT CONTROLS
 - 0 to 10 Vdc CONTROL SIGNAL
 - 4 to 20 mA CONTROL SIGNAL
 - 24 VAC PULSE CONTROL
- DP - DUAL POINT POWER CONNECTION

NOTES

- 70 CFM PER KW MINIMUM AIR FLOW ACROSS HEATER COILS.
- MINIMUM 0.2" w.g.(50 Pa) EXTERNAL STATIC PRESSURE TO OPERATE.

ALL METRIC DIMENSIONS () ARE SOFT CONVERTED. IMPERIAL DIMENSIONS ARE CONVERTED TO METRIC AND ROUNDED TO THE NEAREST MILLIMETER.

PROJECT:		<p>ELECTRIC COILS CONSTANT VOLUME FDCLP2 SIZES 10-40</p>
ENGINEER:		
CUSTOMER:		
SUBMITTAL DATE:	SPEC. SYMBOL:	
		<p>266719</p> <p>04/15/2016</p>



UNIT SIZE	OUTLET DUCT SIZE B x C	D	E
50	21x10 (533x254)	10 1/2" (267)	11 1/2 (292)

STANDARD FEATURES

- HINGED ACCESS DOOR
- AUTOMATIC RESET THERMAL CUTOUT
- MANUAL RESET THERMAL CUTOUT
- FAN INTERLOCKED WITH HEATING ELEMENTS
- MAGNETIC CONTACTORS
- 20 GA. GALVANIZED STEEL CONSTRUCTION
- HIGH GRADE NICKEL CHROME HEATING ELEMENTS
- REFER TO SUBMITTED CONTROL DIAGRAMS FOR STANDARD CONTROL COMPONENTS TO BE SUPPLIED
- SINGLE POINT ELECTRICAL CONNECTION, EXCEPT SEPARATE POWER SUPPLY FOR 600/3Φ/3 WIRE
- SUPPLY VOLTAGE:
 - 115/1Φ
 - 208/1Φ (3 WIRE)
 - 240/1Φ
 - 277/1Φ
 - 480/1Φ (3 WIRE)
 - 208/3Φ (4 WIRE)
 - 480/3Φ (4 WIRE)
 - 600/3Φ (3 OR 4 WIRE)

OPTIONAL FEATURES

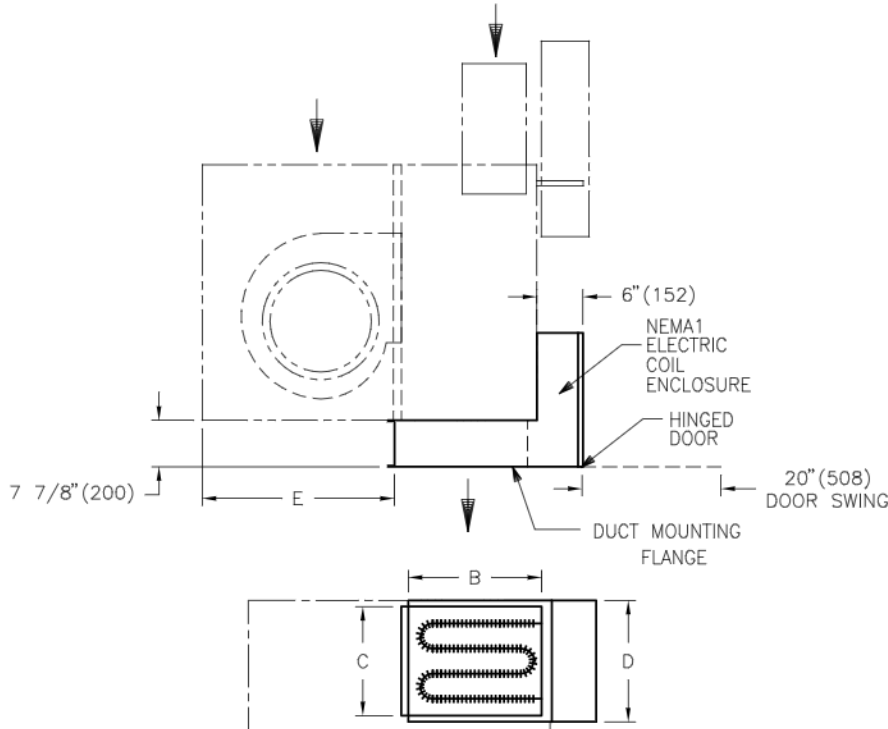
- AIR FLOW SWITCH
- CHICAGO CONSTRUCTION (CBC2000)
- CONTROL CIRCUIT FUSE
- DOOR INTERLOCK DISCONNECT SWITCH
- MAIN SUPPLY FUSE
- MOTOR FUSE
- MERCURY CONTACTORS
- SCR CONTROLS
- SCR-DAT CONTROLS
 - 0 to 10 Vdc CONTROL SIGNAL
 - 4 to 20 mA CONTROL SIGNAL
 - 24 VAC PULSE CONTROL
- DP - DUAL POINT POWER CONNECTION

NOTES

- 70 CFM PER KW MINIMUM AIR FLOW ACROSS HEATER COILS.
- MINIMUM 0.2" w.g.(50 Pa) EXTERNAL STATIC PRESSURE TO OPERATE.

ALL METRIC DIMENSIONS () ARE SOFT CONVERTED. IMPERIAL DIMENSIONS ARE CONVERTED TO METRIC AND ROUNDED TO THE NEAREST MILLIMETER.

PROJECT:		 ELECTRIC COILS CONSTANT VOLUME FDCLP2 SIZES 50
ENGINEER:		
CUSTOMER:		
SUBMITTAL DATE:	SPEC. SYMBOL:	
		 266719 04/15/2016



UNIT SIZE	OUTLET DUCT SIZE B x C	D	E
20	12x9 (305x229)	10½ (267)	18¾ (476)
30	17x9 (432x229)	10½ (267)	21¼ (540)
40	21x11 (533x279)	12½ (318)	21 (533)

SIZES 20-40

SEE CATALOGUE FOR DETAILED AIR FLOW RANGE AND CAPACITY.

STANDARD FEATURES

- HINGED ACCESS DOOR
- AUTOMATIC RESET THERMAL CUTOUT
- MANUAL RESET THERMAL CUTOUT
- FAN INTERLOCKED WITH HEATING ELEMENTS
- MAGNETIC CONTACTORS WHERE REQUIRED
- 20 GA. GALVANIZED STEEL CONSTRUCTION.
- HIGH GRADE NICKEL CHROME HEATING ELEMENTS
- REFER TO SUBMITTED CONTROL DIAGRAMS FOR STANDARD CONTROL COMPONENTS TO BE SUPPLIED
- SINGLE POINT ELECTRICAL CONNECTION, EXCEPT SEPARATE POWER SUPPLY FOR 600/3Ø/3 WIRE
- SUPPLY VOLTAGE:
 - 115/1Ø
 - 208/3Ø (4 WIRE)
 - 208/1Ø (3 WIRE)
 - 480/3Ø (4 WIRE)
 - 240/1Ø
 - 600/3Ø (3 OR 4 WIRE)
 - 277/1Ø
 - 480/1Ø (3 WIRE)

OPTIONAL FEATURES

- AIR FLOW SWITCH
- CHICAGO CONSTRUCTION (CBC2000)
- CONTROL CIRCUIT FUSE
- DOOR INTERLOCK DISCONNECT SWITCH
- MAIN SUPPLY FUSES
- MOTOR FUSE
- MERCURY CONTACTORS
- PSG – Price Silent Guard™ CONTROLLER
- SCR CONTROLS SCR-DAT CONTROLS * SEE NOTE
 - 0 to 10 Vdc CONTROL SIGNAL
 - 4 to 20 mA CONTROL SIGNAL
 - 24 VAC PULSE CONTROL
- DP – DUAL POINT POWER CONNECTION

NOTES

- 70 CFM PER KW MINIMUM AIR FLOW ACROSS HEATER COILS.
- MINIMUM 0.2" w.g.(50 Pa) EXTERNAL STATIC PRESSURE TO OPERATE.
- ASSEMBLY ETL CERTIFIED TO UL1995 & CSA236.
- FOR SCR OPTION WITH PNEUMATIC CONTROL SIGNAL CONTACT PRICE.

ALL METRIC DIMENSIONS () ARE SOFT CONVERTED. IMPERIAL DIMENSIONS ARE CONVERTED TO METRIC AND ROUNDED TO THE NEAREST MILLIMETER.

PROJECT:		PRICE [®]	
ENGINEER:		<i>BG</i>	ELECTRIC COILS VARIABLE VOLUME LOW PROFILE TERMINALS SIZES 20 – 40
CUSTOMER:		237233	
SUBMITTAL DATE:	SPEC. SYMBOL:	2012/05/28	